

Observe protection note to DIN34

A	H-2810	13.12.2021	ES-PE	ES-PE	-		
Index	ECO no.	Date	Editor	Checked	-		
Scale	2 : 1		Date	Name	MODEL: H306368	DRW: H306368	
Material	-		Created	13.12.2021	ES-PE	Internet Dokument internet document BudgetKey	
		Checked	13.12.2021	ES-PE	PILZ		
		Norm	-	-		All dimensions are in mm	
Surface		Unspecified tolerance			Doc.-No.	H306368	Page 1
					Mat.-No.	-	of 1

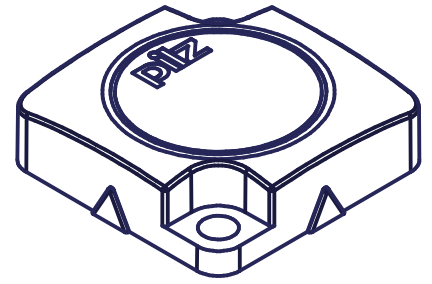
1

2

3

4

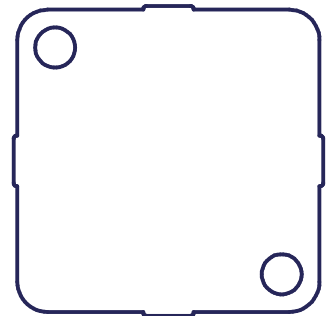
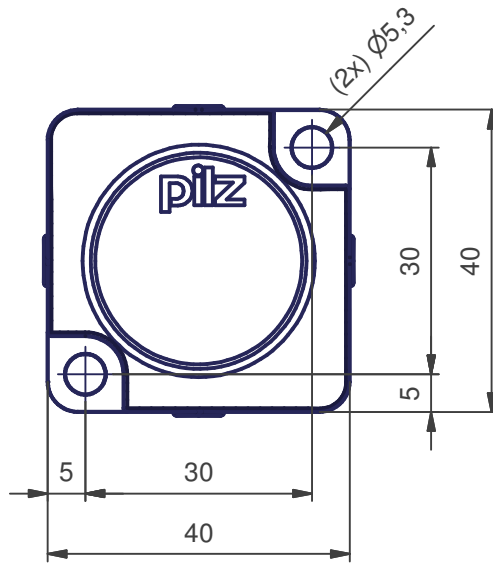
A



B

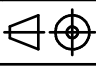



C



D

Observe protection
note to DIN 34.

A	H1000253	09.09.2011	EP-MK	EP-MK	Zeichnung geändert / Drawing modified				
Index	Change no.	Date	Editor	Checked	Changes				
Scale				Date	Name	Internet Dokument Internet document A 40 x 40 x 11 mm			
1:1		Created	09.09.2011	EP-MK					
Material		Checked	09.09.2011	EP-MK					
			Norm	-					
			All dimensions are in mm						
Surface	Unspecified tolerance			H302846			Index	Page	Pg.
							A	1	1
Replaced by				Sustitute for					

1

2

3

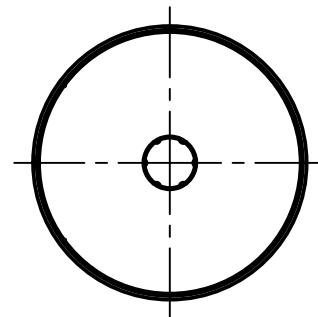
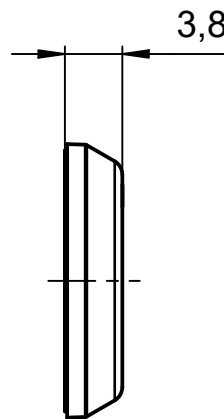
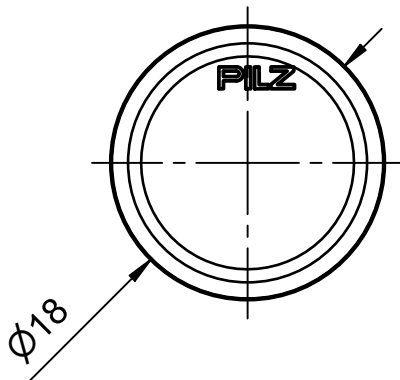
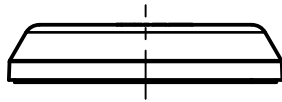
4

A

B

C

D



(1 : 1)



Observe protection note to DIN34	A	H-2627	17.03.2020	ES-NSC	ES-NSC			
	Index	ECO no.	Date	Editor	Checked			
	Scale			Date	Name	MODEL: 2027931	DRW: 2027930	
	Material		Created	17.03.2020	ES-NSC	Internet Dokument internet document PSEN_cs_glue_actuator		
	-		Checked	17.03.2020	ES-NSC			
	-	Norm	-	-				
	Surface	Unspecified tolerance				Doc.-No.	2027930	Page 1
	-					Mat.-No.	-	of 1
	-							
	PILZ							

1

2

3

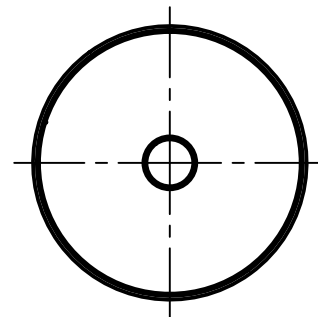
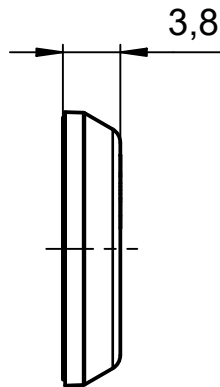
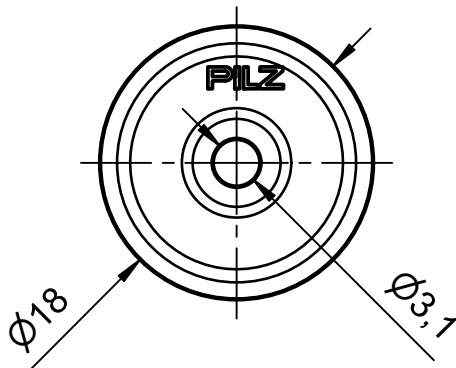
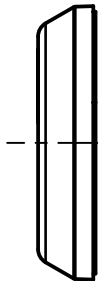
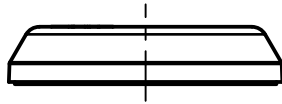
4

A

B

C

D



(1 : 1)



Observe protection note to DIN34	A	H-2627	17.03.2020	ES-NSC	ES-NSC			
	Index	ECO no.	Date	Editor	Checked			
	Scale			Date	Name	MODEL: 2027929	DRW: 2027928	
	Material		Created	17.03.2020	ES-NSC	Internet Dokument internet document PSEN_cs_screw_actuator		
	-		Checked	17.03.2020	ES-NSC			
	-	Norm	-	-	All dimensions are in mm			
	Surface	Unspecified tolerance			Doc.-No.	2027928	Page	1
	-				Mat.-No.	-	of	1
	-							
	PILZ							

1

2

3

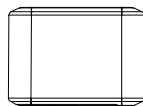
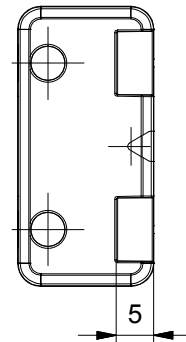
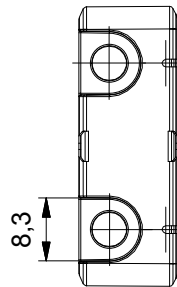
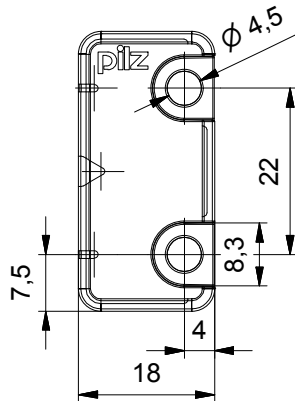
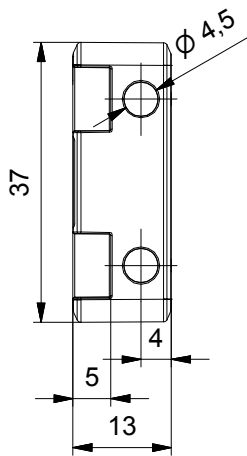
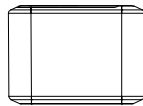
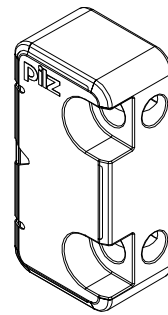
4

A

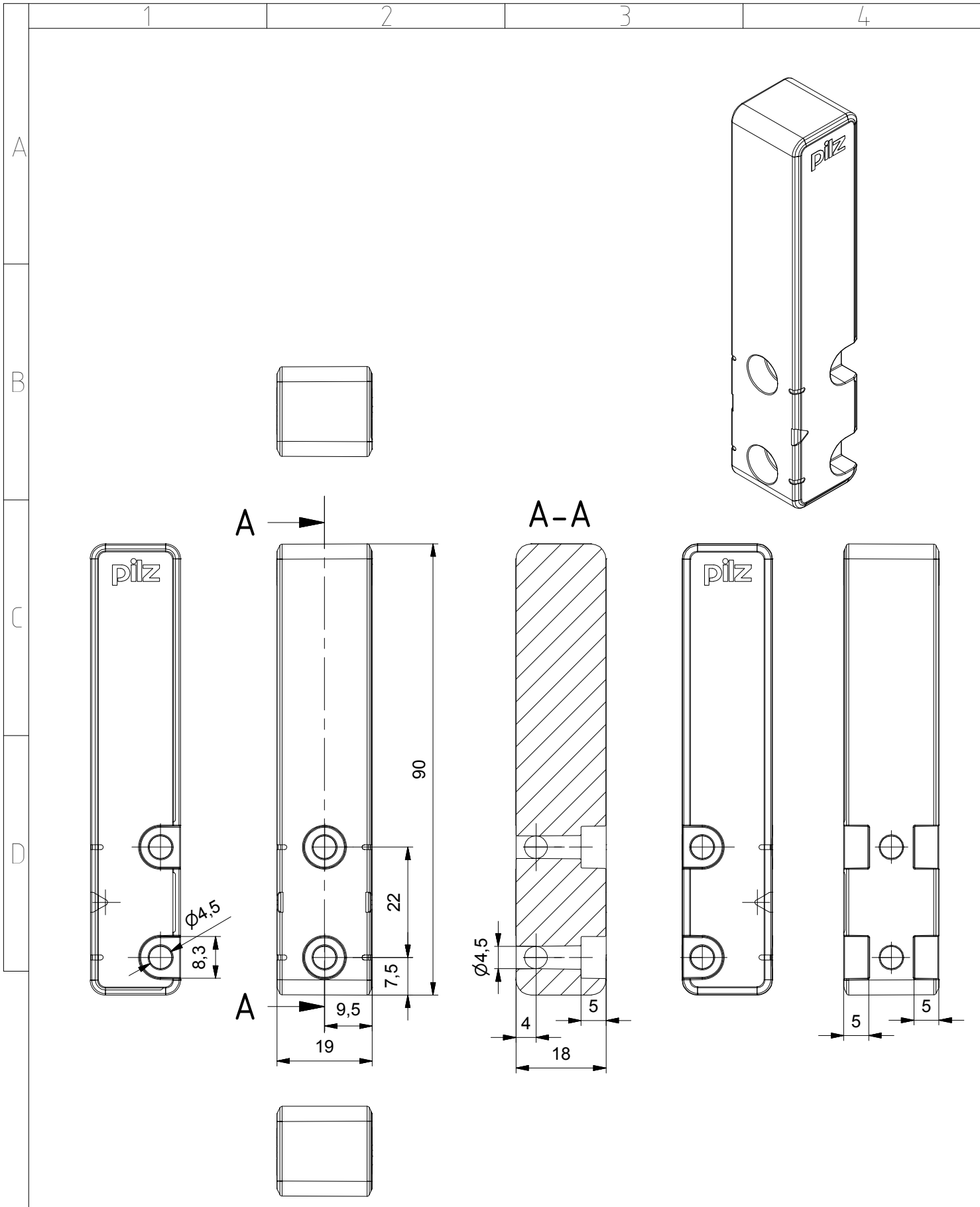
B

C

D

Observe protection
note to DIN 34

A	H1300056	24.07.2014	EP-MK	EP-MK	Changes	Internet Dokument Internet document PSENcsII M8 actuator pilz	Index A	Page 1	Pg. 1
Scale	1 : 1		Created	23.07.2014	EP-MK				
Material			Checked	24.07.2014	EP-MK				
			Norm	-	-				
			All dimensions are in mm						
Surface			Unspecified tolerance						
Replaced by						H303909			
						Substitute for			



Observe protection note to DIN 34

A	H1300056	24.07.2014	EP-MK	EP-MK	Changes	Internet Dokument Internet document PSENcsII M12 magn. actuator pilz	Index A	Page 1	Pg. 1
Scale	1 : 1		Created	23.07.2014	EP-MK				
Material		Checked	24.07.2014	EP-MK					
Surface		Norm	-	-					
Replaced by		All dimensions are in mm							
		Unspecified tolerance				H303912			
					Substitute for				

1

2

3

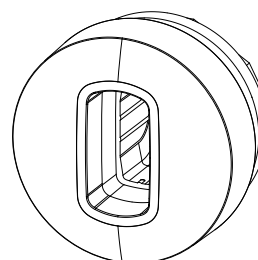
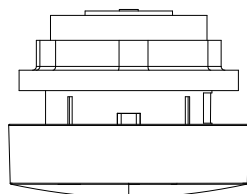
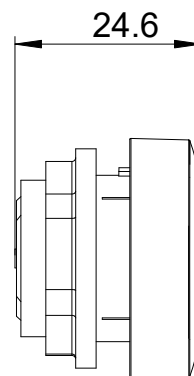
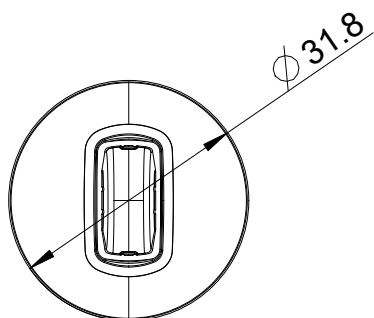
4

A

B

C

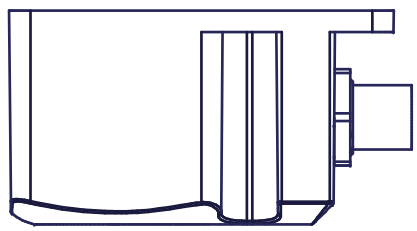
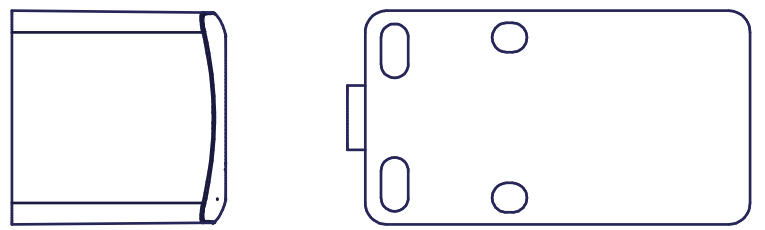
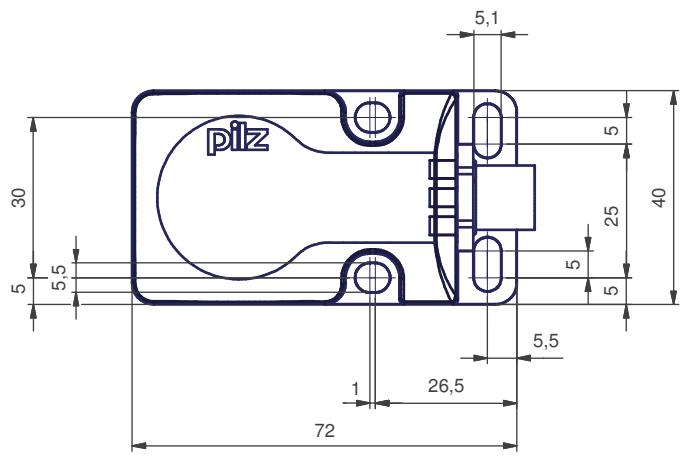
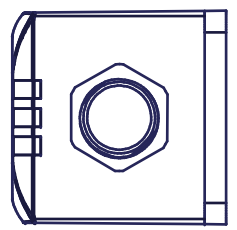
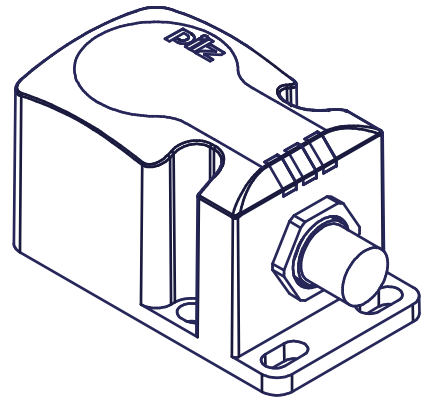
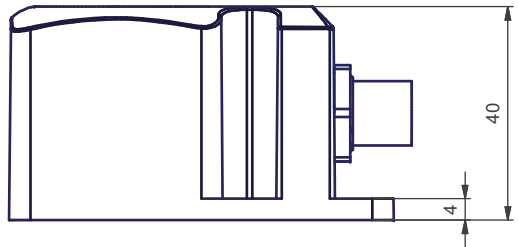
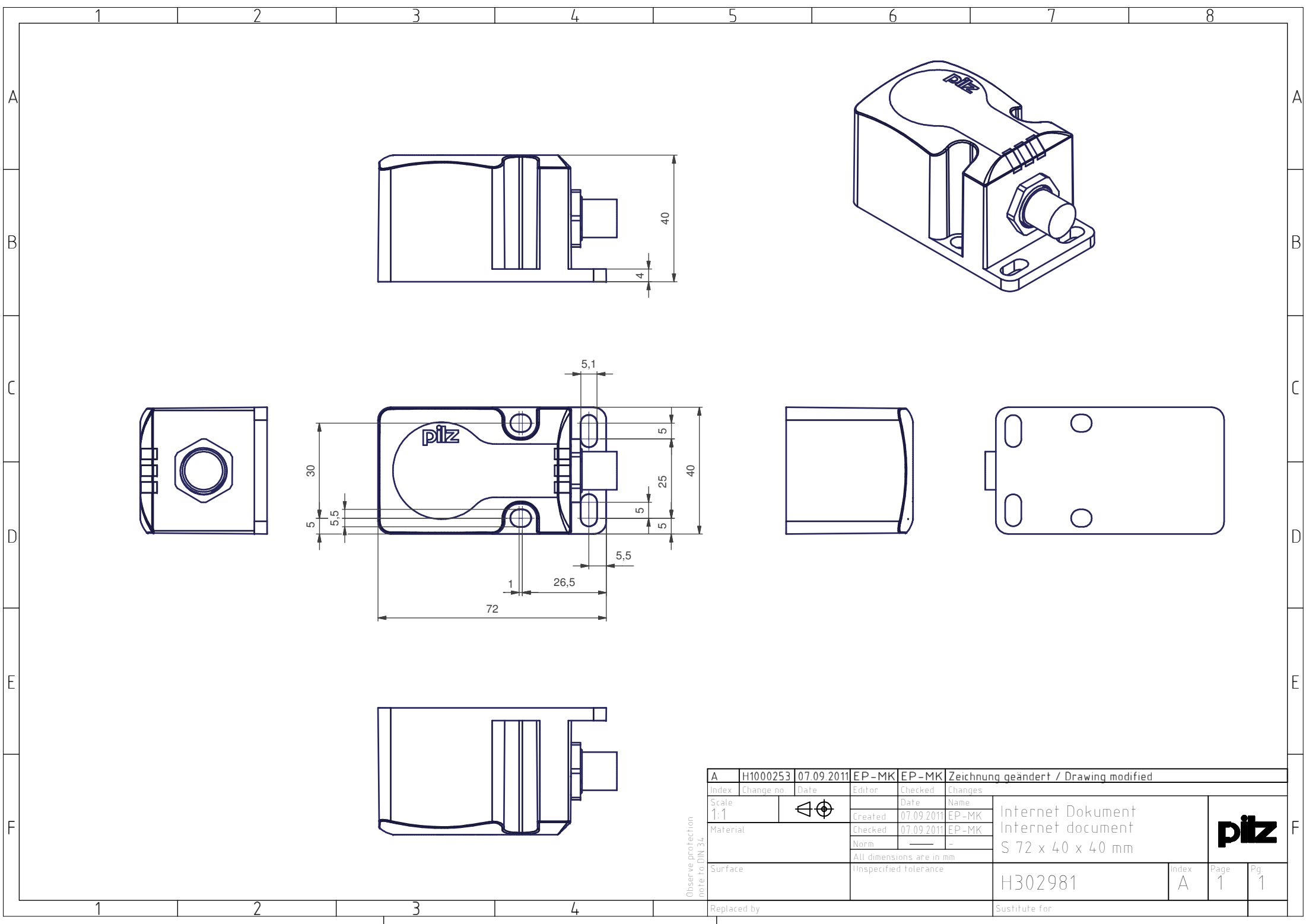
D



-	H-2810	01.07.2021	PD-Sup-MDPD-SUP-MD	Neue Zeichnung new drawing		
Index	ECO no.	Date	Editor	Checked		
Scale	1:1			Date	Name	MODEL: 2031053 DRW: 2031054
Material	-	-	Created	01.07.2021	PD-SUP-MD	Internetdokument internet document
-	-	-	Checked	-	-	
-	-	-	Norm	-	-	
Surface	-	-	All dimensions are in mm			Doc.-No. 2031054 Mat.-No. 532113
-	-	-	Unspecified tolerance			
						Page 1 of 1

Refer to protection notice ISO 16016

PILZ



Observe protection
note to DIN 34

A	H1000253	07.09.2011	EP-MK	EP-MK	Zeichnung geändert / Drawing modified	
Index	Change no.	Date	Editor	Checked	Changes	
Scale	1:1		Created	07.09.2011	EP-MK	Internet Dokument Internet document S 72 x 40 x 40 mm
Material			Checked	07.09.2011	EP-MK	
Surface		Norm		-		
All dimensions are in mm						
Surface			Unspecified tolerance			
Replaced by					Sustitute for	
					Index	Page
					A	1
					Pg	1

