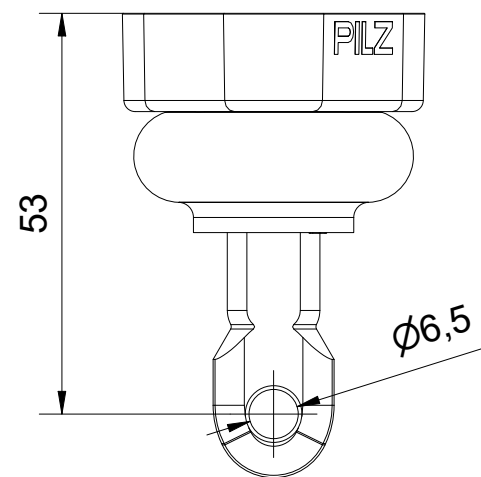
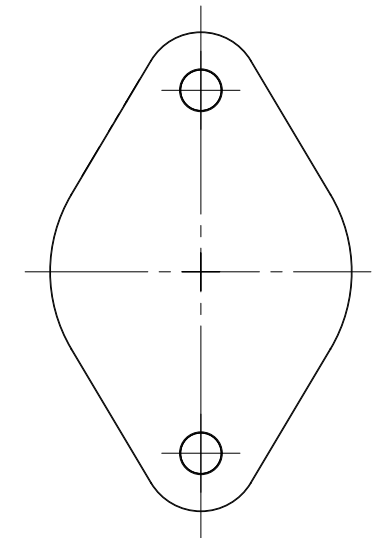
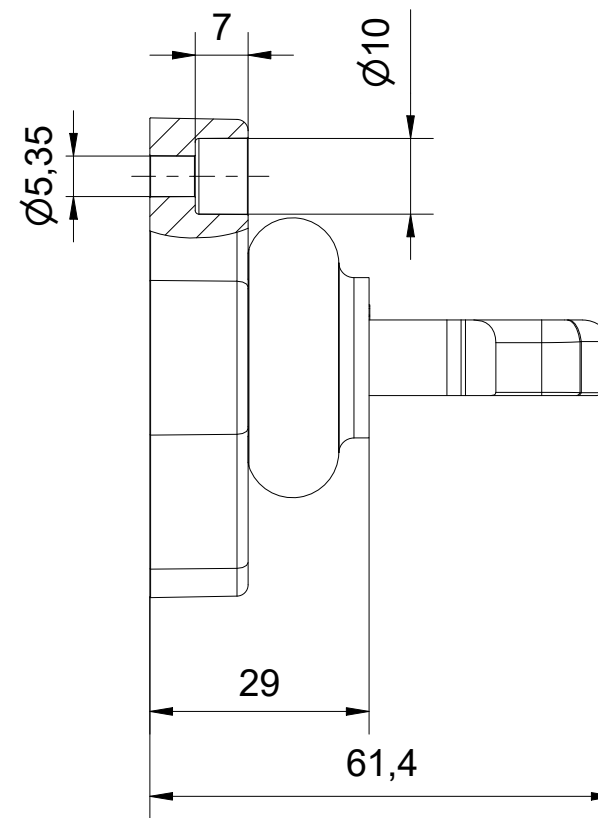
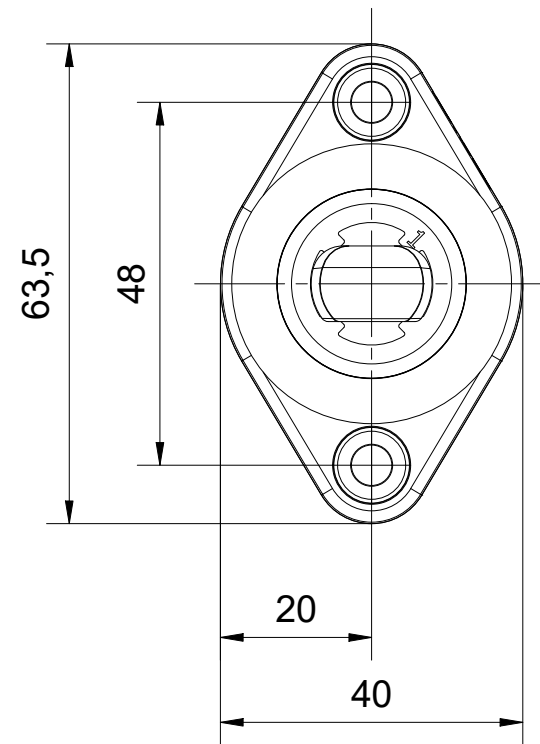
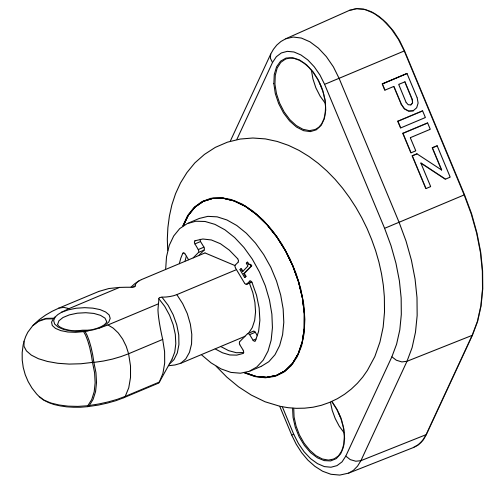
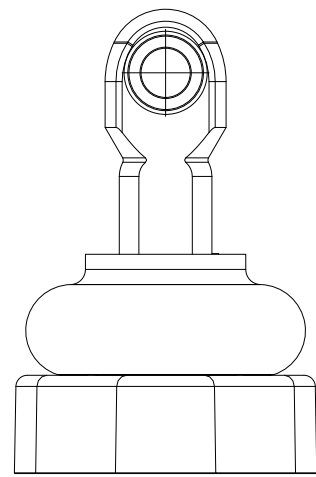
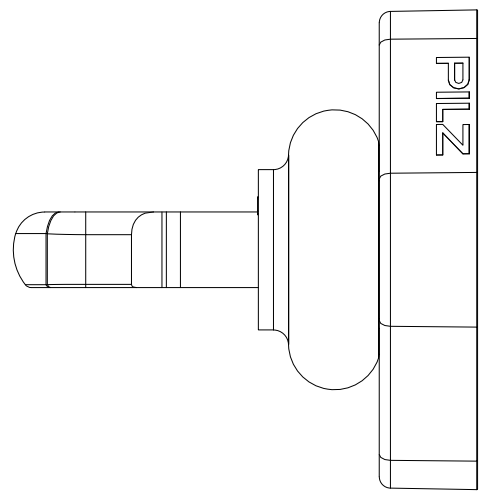


Observe protection note to DIN34

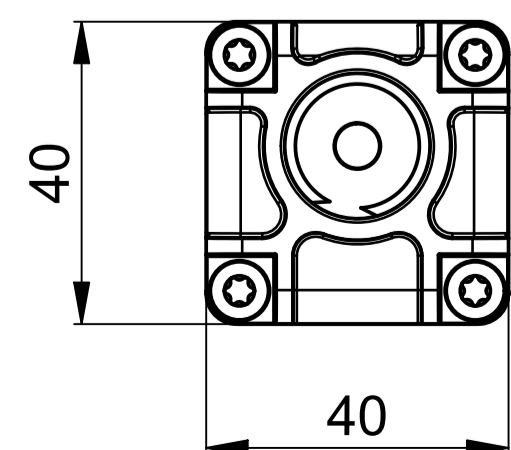
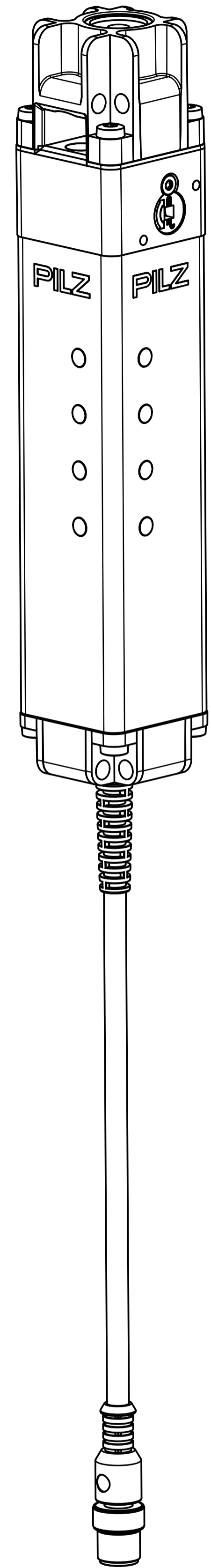
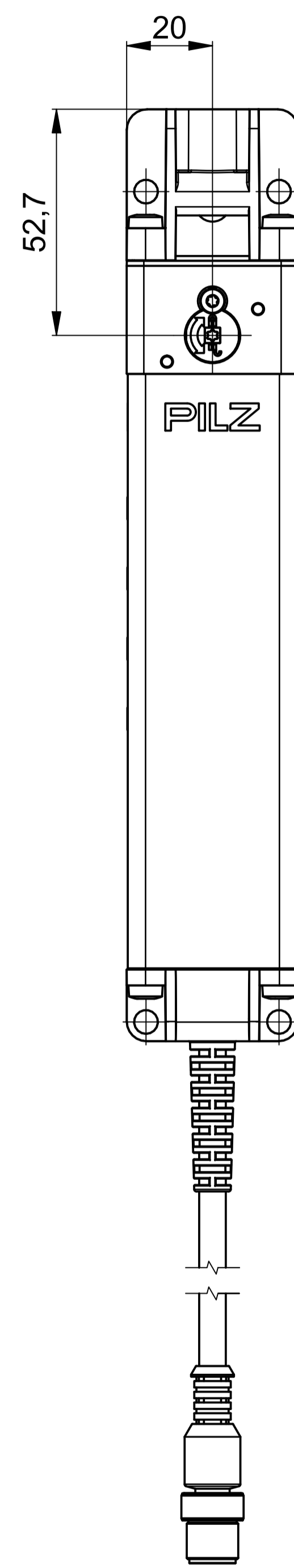
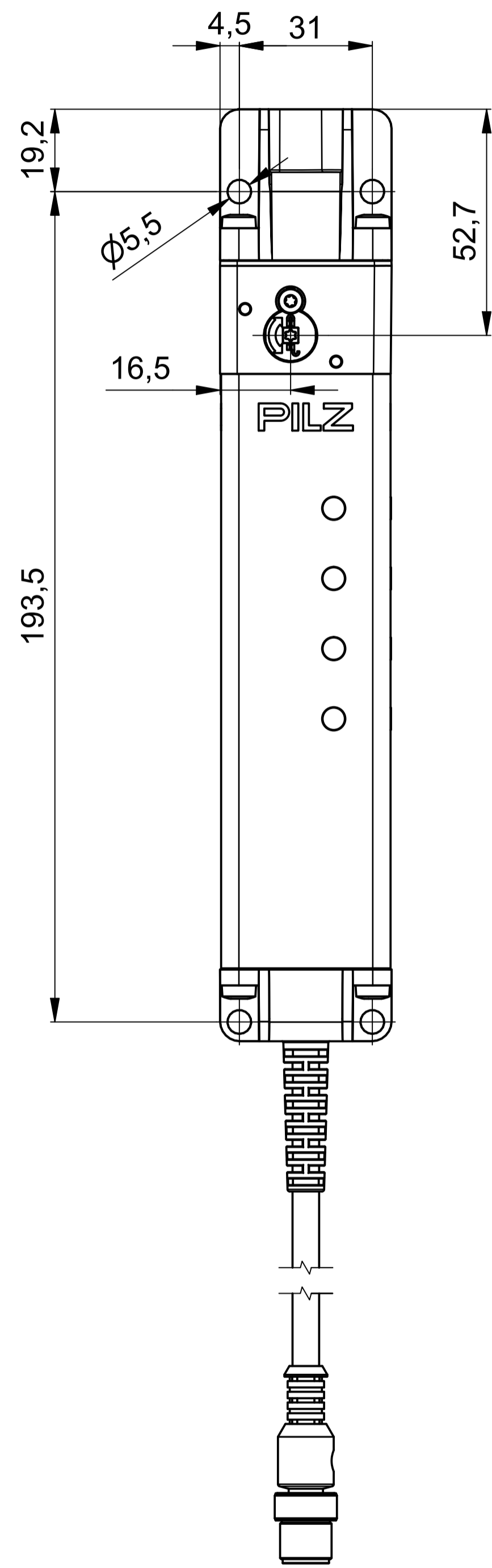
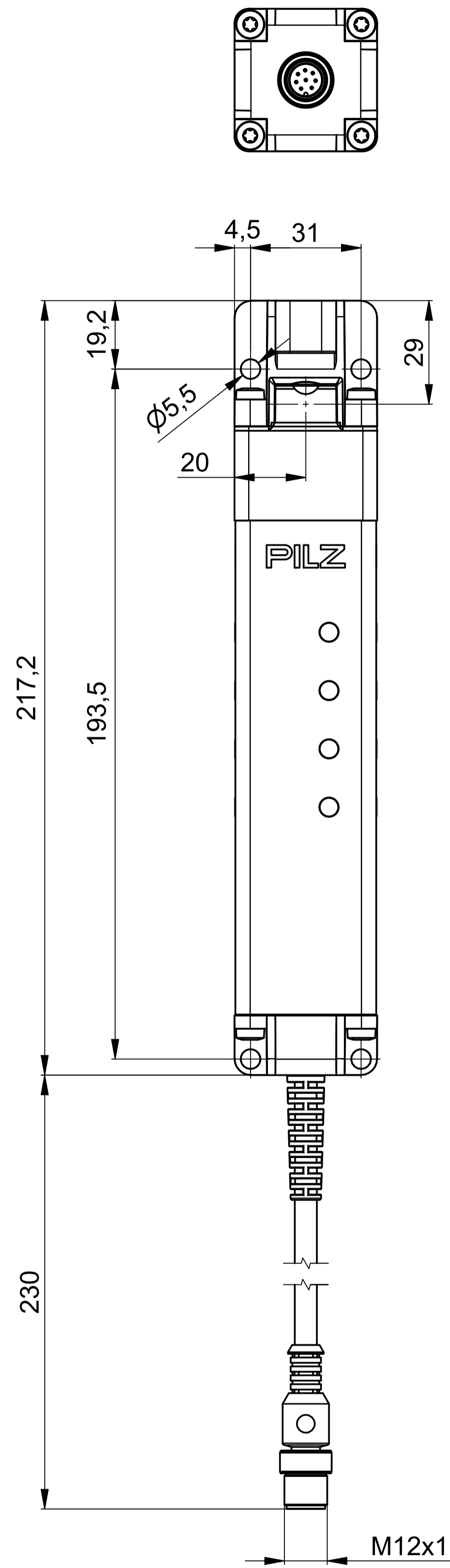
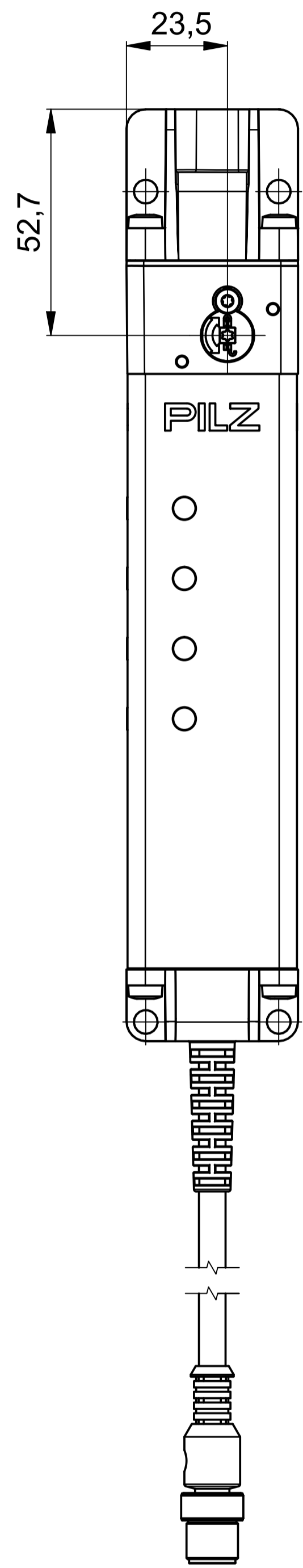
B	H-2402	01.02.2019	ES-PE	ES-PE	-		
Index	ECO no.	Date	Editor	Checked	-		
Scale	1:1			Date	Name	MODEL: 2022690	DRW: 2022689
Material	-	-	-	Created	13.04.2016	ES-PE	Internet Dokument internet document PSEN_ml_actuator
	-	-	-	Checked	01.02.2019	ES-PE	
	-	-	-	Norm	-	-	
Surface	All dimensions are in mm		Unspecified tolerance		Doc.-No.	2022689	Page 1
					Mat.-No.	-	of 1



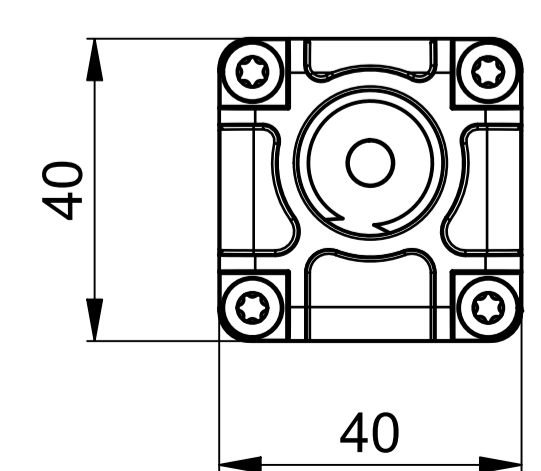
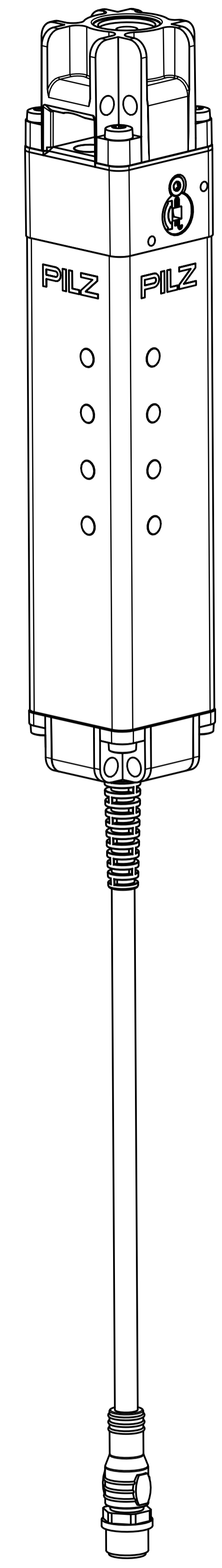
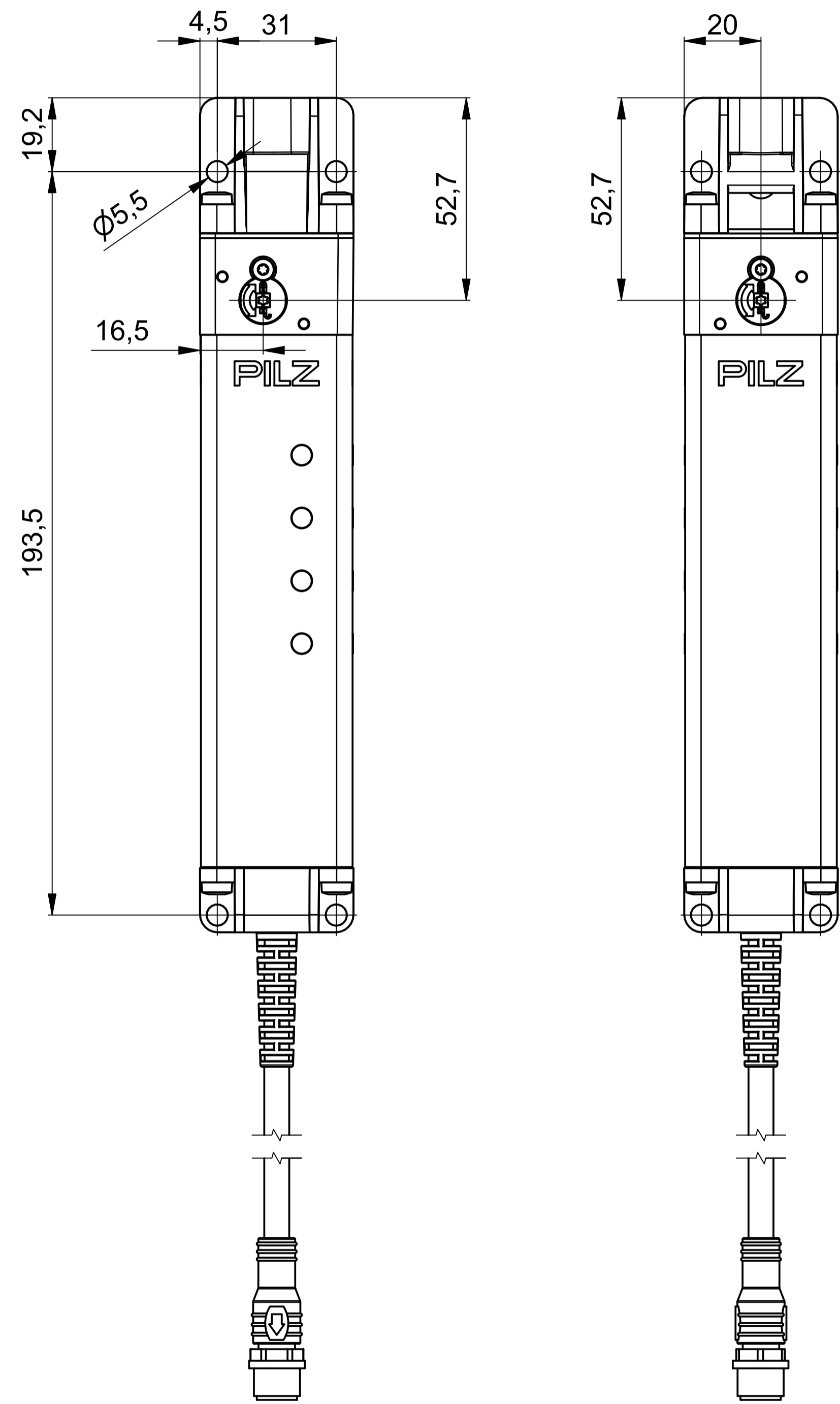
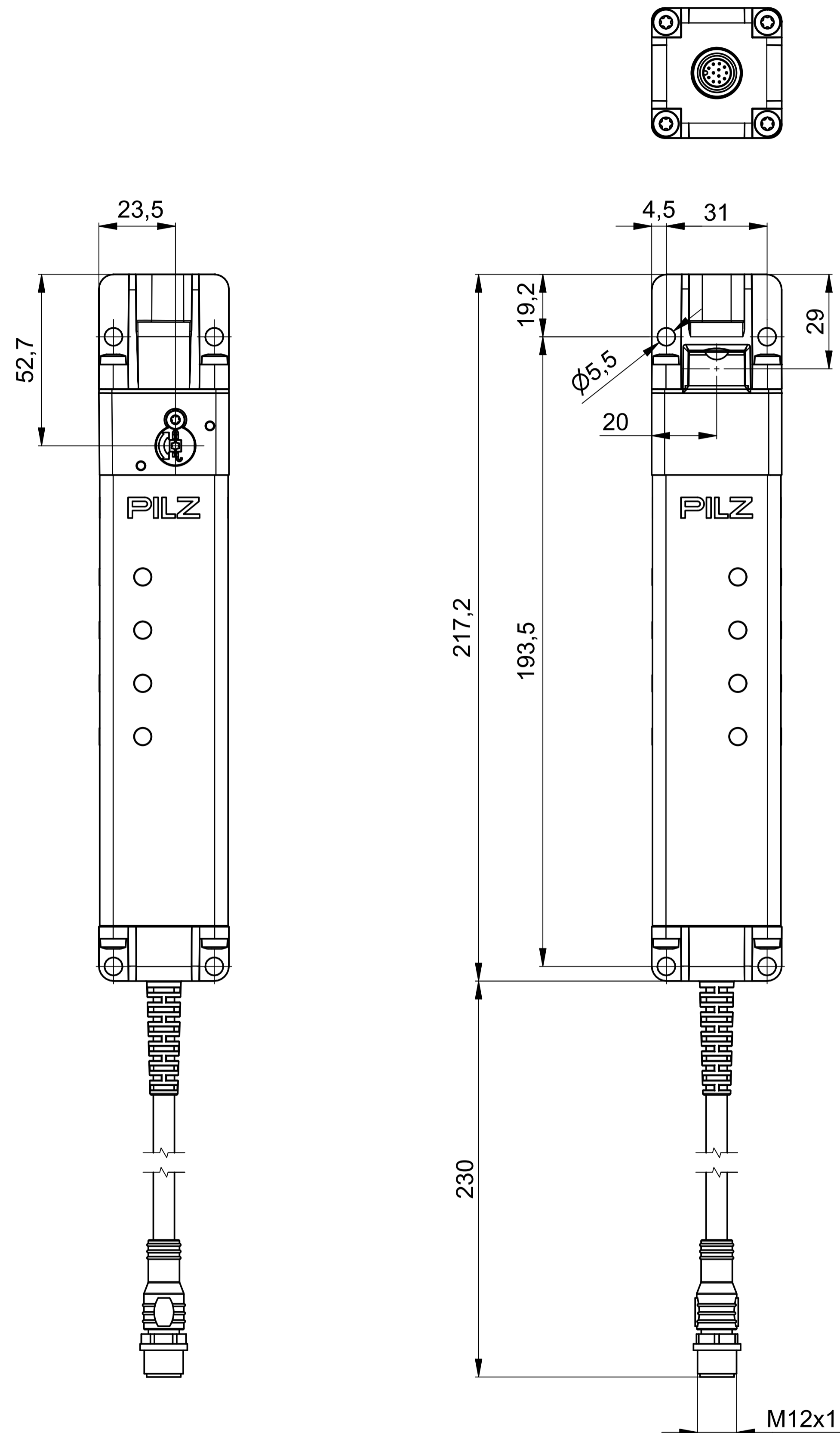


Observe protection note to DIN34	A	H-2402	01.02.2019	ES-PE	ES-PE			
	Index	ECO no.	Date	Editor	Checked			
	Scale	1 : 1			Date	Name	MODEL: 2027564	
					Created	20.12.2018	ES-PE	Internet Dokument internet document PSEN_ml_round_actuator
	Material				Checked	01.02.2019	ES-PE	
					Norm	-	-	
		All dimensions are in mm					Doc.-No.	2027563
	Surface	Unspecified tolerance					Page	1
						Mat.-No.	-	of 1





D	H-3314	14.05.2021	ES-PE	ES-PE	-	
Index	ECO no.	Date	Editor	Checked	-	
Scale	1:1					
Material						
Surface						
Observed protection note to DIN34						
Date		Name		MODEL: 2022688		DRW: 2022687
Created		ES-ST5		Internet Dokument		PILZ
Checked		ES-PE		PSEN ml b switch		
All dimensions are in mm			Doc.-No.		2022687	
Unspecified tolerance			Mat.-No.		-	
						Page 1
						of 1



B		H-3314	14.05.2021	ES-PE	ES-PE		
Index	ECO no.	Date	Editor	Checked			
Scale	1:1			Date	Name	MODEL: 2025697	DRW: 2025696
Material	.	Created	08.01.2018	ES-ST5	Internet Dokument		
		Checked	14.05.2021	ES-PE	Internet document		
		Norm	-	-	PSEN ml s switch		
Surface	.	Unspecified tolerance			Doc.-No.	2025696	Page 1
						Mat.-No.	of 1

Observe protection note to DIN34

