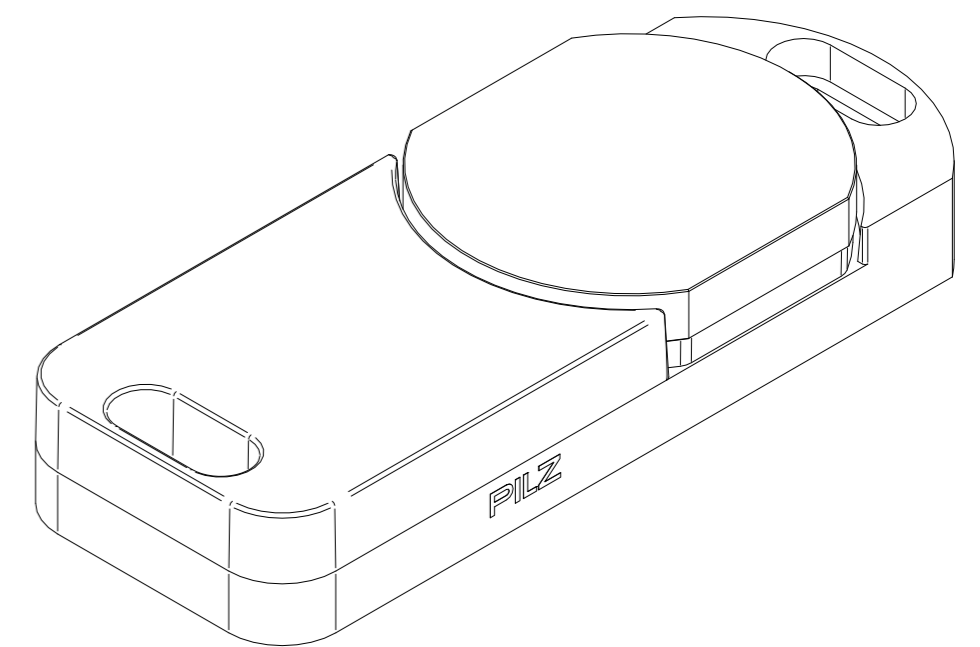
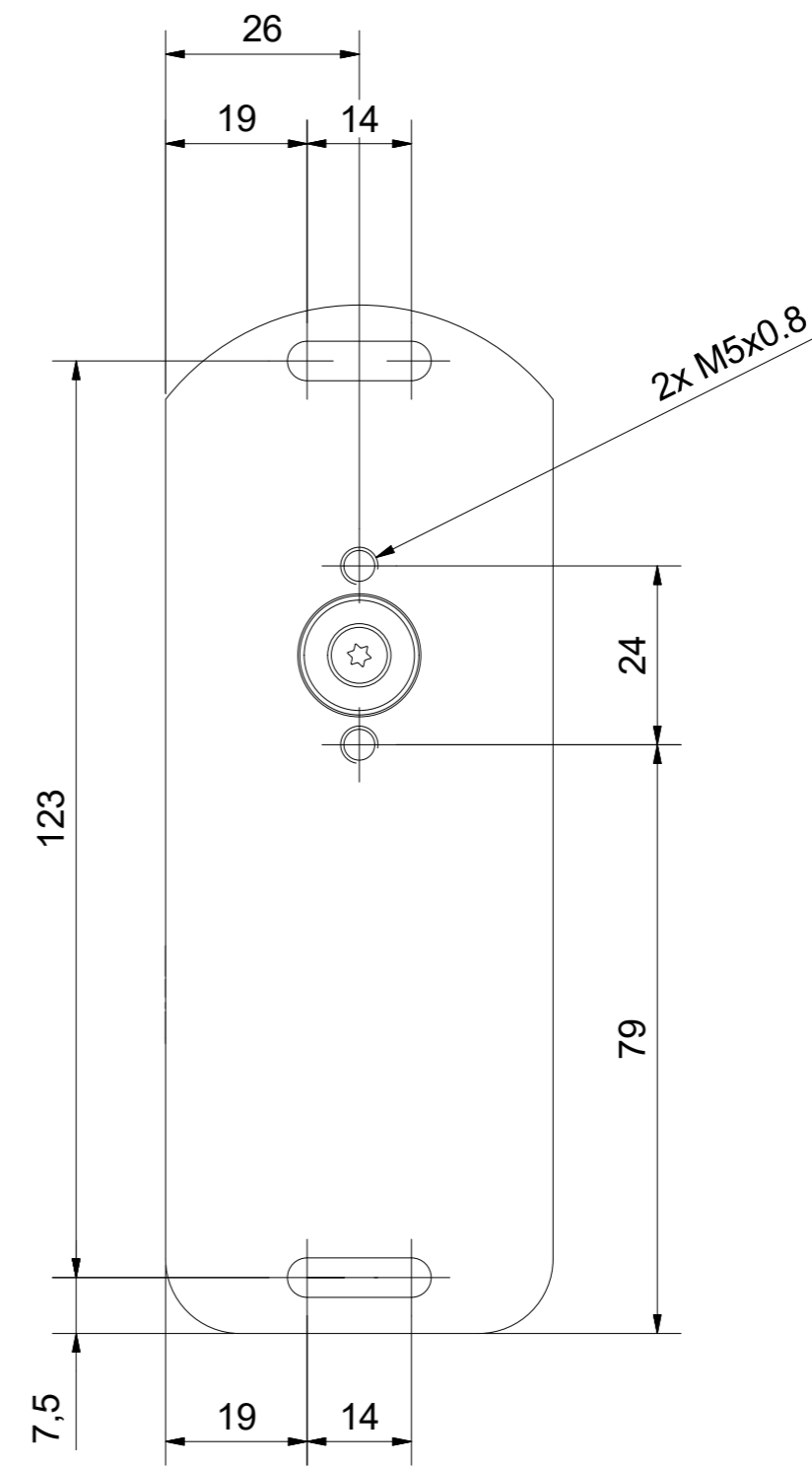
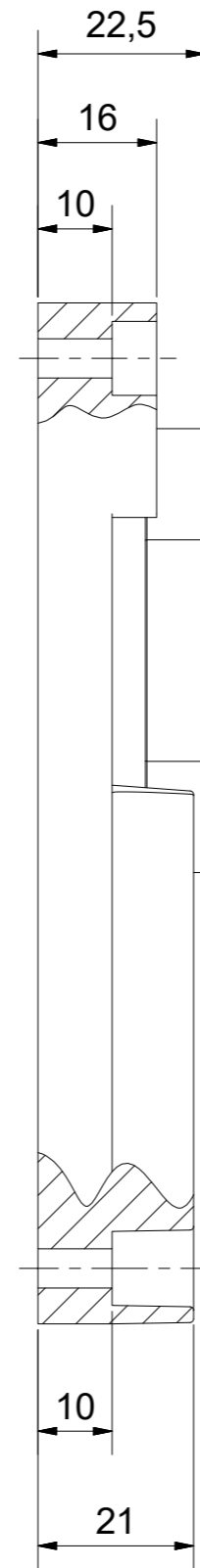
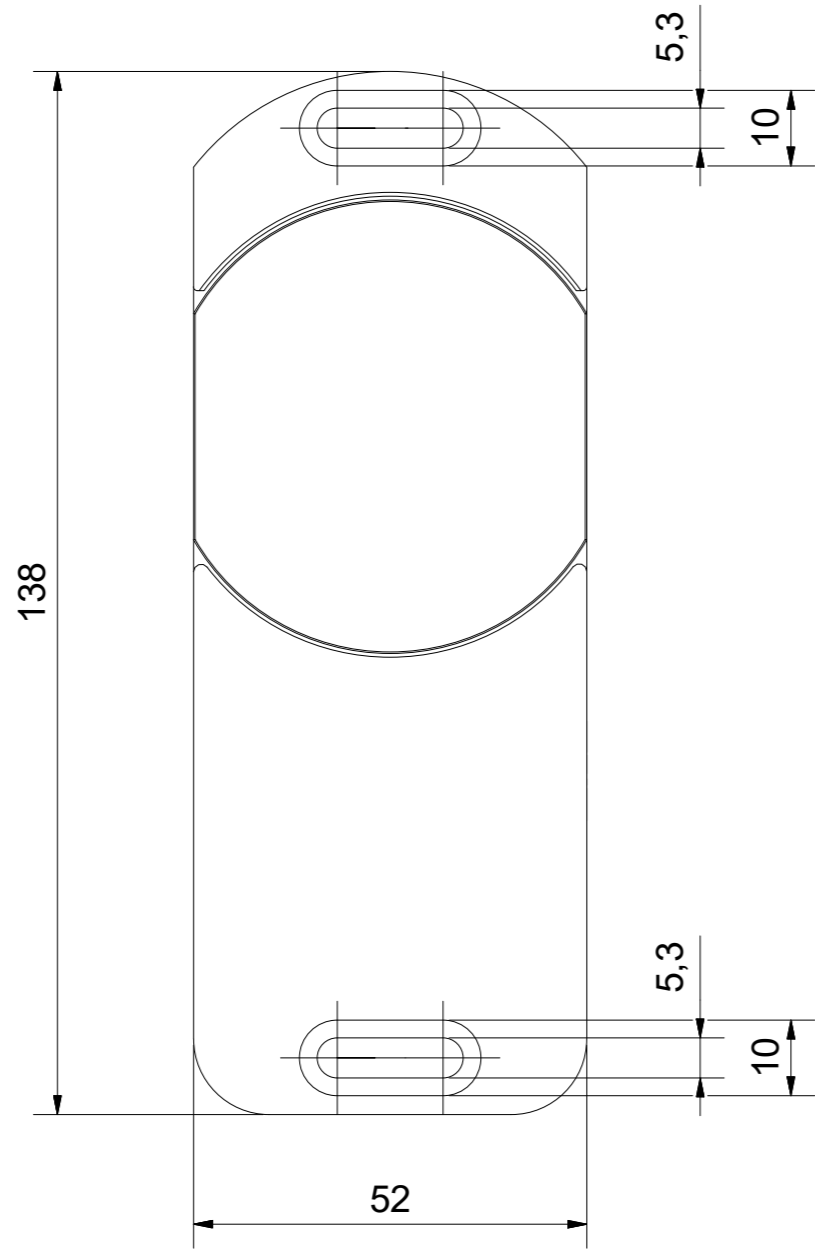
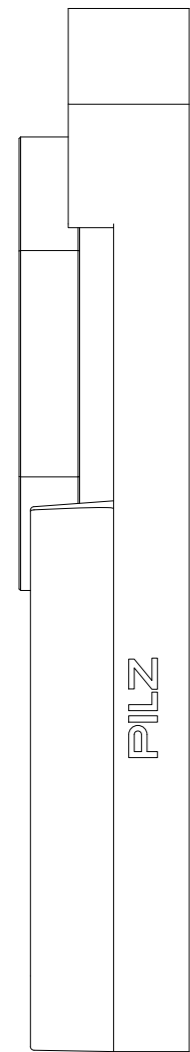


Observe protection note to DIN34	B	H-2496	06.07.2018	ES-PE	ES-PE	- Freigabe Index B	
	Index	ECO no.	Date	Editor	Checked	- kontrolliert von jebe	
	Scale	1 : 1			Date	Name	MODEL: 2009855 DRW: 2009854
	Material			Created	06.07.2018	ES-PE	Internet Dokument
				Checked	06.07.2018	ES-PE	internet document
				Norm	-	-	PSEN_sl_10_Betätiger
				All dimensions are in mm			Doc.-No.
Surface	Unspecified tolerance			Mat.-No.		-	Page 1
							of 1





Observe protection note to DIN34	B	H-2496	04.07.2018	ES-PE	ES-PE	- Freigabe Index B	
	Index	ECO no.	Date	Editor	Checked	- kontrolliert von jebe	
	Scale	1 : 1			Date	Name	MODEL: 2009851 DRW: 2009850
	Material			Created	04.07.2018	ES-PE	Internet Dokument
				Checked	04.07.2018	ES-PE	internet document
				Norm	-	-	PSEN_sl_05_Betätiger
				All dimensions are in mm			Doc.-No.
Surface	Unspecified tolerance					Page	1
						Mat.-No.	-
						of	1

