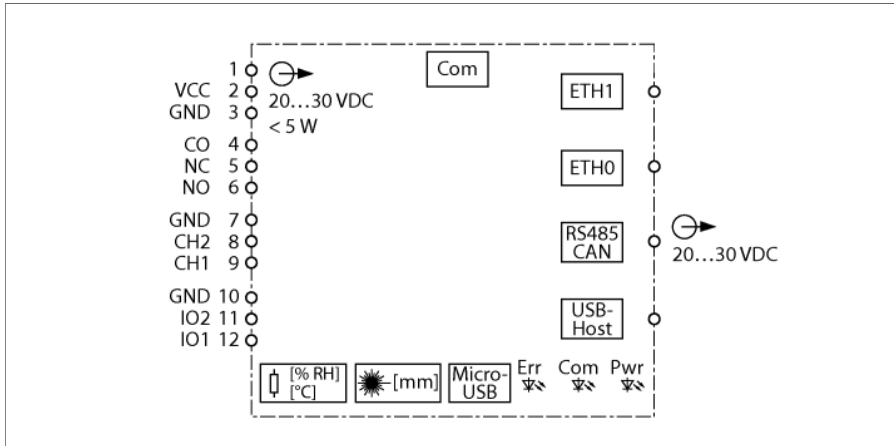


Cabinet Guard

Internal and External Sensors

IM18-CCM60-MTI/24VDC



The cabinet guard IM18-CCM60-MTI/24VDC uses integrated sensors to monitor temperature, relative humidity and the distance from the control cabinet door. The information can be transferred to higher-level systems via the Ethernet interface, for example.

The following interfaces are provided on the device:

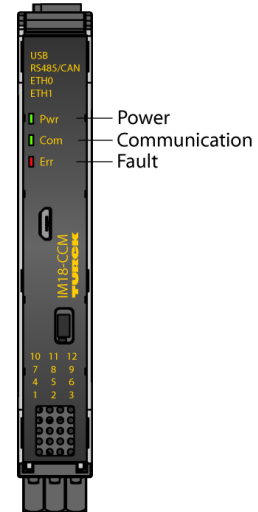
- Two Ethernet interfaces
- CAN/RS485 interface
- Two GPIOs
- Two analog inputs (configurable as current or voltage input)
- Changeover contact relay
- USB interface

The device can be accessed via the web-based SIINEOS Management Console (SMAC) using a Micro USB connection or an Ethernet connection. This enables the smart preprocessing of data through the use of integrated applications. In addition, the device functions can be programmed as required.

To save space, the narrow, 18-mm housings can be easily mounted in any control cabinet on a DIN rail in accordance with EN 60715.

The device is equipped with removable spring-type terminals.

Product from laser class 1: The device complies with standards 21 CFR 1040.10 and 1040.11 with the exception of IEC 60825-1 Ed. 3, as described in Laser Notice No. 56 of May 8, 2019.



- Microprocessor: AM3358BZCZA100 (TI Sitara 32-bit ARM Cortex-A8)
- RAM: 8 Gbit 1 GB DDR3L
- Flash: 8 GB eMMC
- Interfaces:
 - 1 × 1-Gbit Ethernet
 - 1 × 100-Mbit Ethernet
 - 1 × CAN/RS485
 - 2 × digital inputs or outputs
 - 2 × analog inputs
 - 1 × relay
- Temperature detection
- Moisture detection
- Proximity detection
- Supply voltage 24 VDC
- DIN rail mounting
- SIINEOS software
- Micro USB

Type	IM18-CCM60-MTI/24VDC
ID	100040397

Nominal voltage	24 VDC
Operating voltage	20...30 VDC

Input circuits	
GPIO	Input: high 12...30 V, 2.5...6.5 mA / low: 0...8 V, 0...1 mA Output: 1.6 V at 100 mA, 2.5 V at 200 mA
Voltage input	0...5/10/20 VDC
Input current	0...35 mA

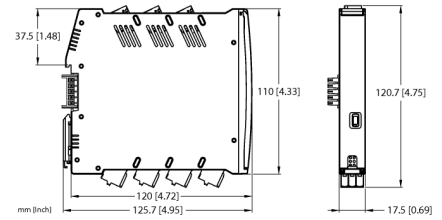
Output circuits	
Output circuits (digital)	1 x relay (change-over)
Output switching voltage relay	≤ 48 VDC
Switching current per output	≤ 2 A

Response characteristic	
Measuring accuracy (including linearity, hysteresis and repeatability)	≤ 2 % of full scale

Moisture Sensor	
Accuracy max.	± 5 % relative humidity in the range 10...90 %

Temperature Sensor	
Max. accuracy	±2 °C

Distance Sensor	
Measuring range	45...1200 mm
Accuracy	± 5 %



Mechanical data			
Protection class	IP20		
Flammability class acc. to UL 94	V-0		
Ambient temperature	0...+70 °C		
Storage temperature	-25...+75 °C		
Dimensions	120 x 17.5 x 128 mm		
Weight	223 g		
Mounting instructions	DIN rail (NS35)		
Housing material	Polycarbonate/ABS		
Electrical connection	Removable spring-type terminals, 3-pin		
Terminal cross-section	2.5 mm ²		
Environmental conditions	Operating height	Up to 2000 m above sea level	
	Pollution degree	II	
	Standards used		
	Dielectric strength and insulation		EN 50178
			EN 61010-1
	Shock		EN 60068-2-6
			EN 60068-2-27
	Temperature		EN 60068-2-1 Ad
			EN 60068-2-2 Bd
			EN 60068-2-1
	Humidity		EN 60068-2-38
	EMC		EN 61000-4-2
			EN 61000-4-3
			EN 61000-4-4
			EN 61000-4-5
			EN 61000-4-6
		EN 61000-4-8	
Emission		CISPR16	