

- SSI linear & rotary encoder gateway
- All typical encoder functions available
- Position output
- IP65 protection
- Robust metal housing
- DIN-rail snap-on installation possible
- Special versions on request



IF55



FUNCTIONS

Position output, scaling function, preset, offset, counting direction, diagnostics

ENVIRONMENTAL SPECIFICATIONS

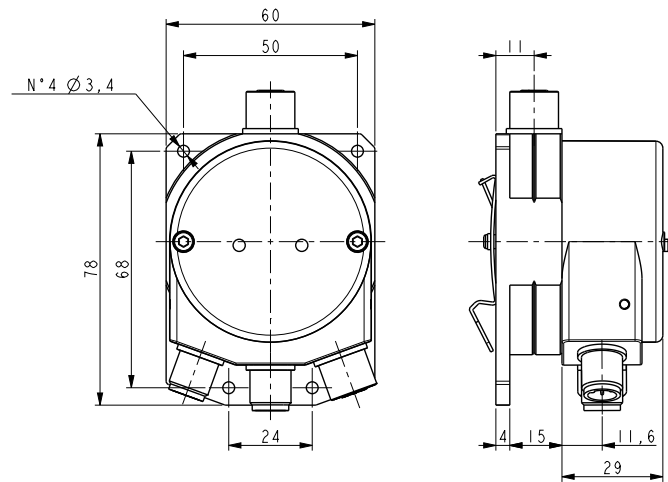
Shock:	250 g, 6 ms acc. to CEI EN 60068-2-27
Vibrations:	10 g, 5-2000 Hz acc. to CEI EN 60068-2-6
Protection:	IP65
Operating temperature range:	-25°C +85°C (-13°F +185°F)
Storage temperature range:	-25°C +85°C (-13°F +185°F)

MECHANICAL SPECIFICATIONS

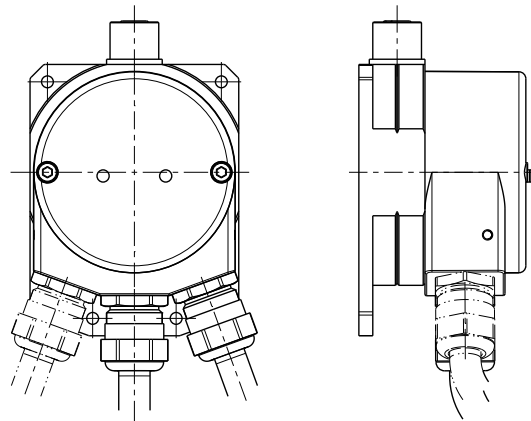
Dimensions:	see drawing
Electrical connections:	SSI input M12 8 pin connector Output with PG or M12 connectors according to bus specifications
Weight:	~ 250 g

ELECTRICAL SPECIFICATIONS

Power supply:	+10Vdc +30Vdc
SSI input:	single turn: 18 bit max. multi turn: 16 x 16 bit, max. 30 bit linear sensors: 30 bit max., resolution 1µm ÷ 5000µm code: binary or gray, LSB or MSB aligned protocol, max. 32 clock
Output interfaces:	CANopen: device profile for encoders class 2 (DS301, DS406) Profibus: Profibus-DP V0 slave class 1, class 2 EtherCAT: ETG.1000, CoE, FoE, EtherCAT state machine DeviceNet C/P Profinet IRT/RT Ethernet Powerlink V2.0, Profile 1.2.0 Ethernet/IP Vol. 2 Ed.1.22 Ethernet Modbus TCP/IP



WITH M12 CONNECTORS



WITH 2 OR 3 PG'S

IF55

Recommended encoder series

Linear encoder, up to 0.001mm:	SMA2 series
Rotary miniature encoder:	AM36, MM36 series
Bearingless encoder:	SMRA / MRA series
Contactless encoder for round axes:	SMLA

Order code

IF55	XXX Ⓐ	XX Ⓑ
------	----------	---------

<p>Ⓐ INPUT</p> <p>ROT = rotary sensors LIN = linear sensors</p>	<p>Ⓑ OUTPUT</p> <p>PB = Profibus-DP with 3 x PG PB-C = Profibus-DP with 3 x M12 CB = CANopen with 2 x PG CB-C = CANopen with 2 x M12 FD = DeviceNet with 3 x PG FD-C = DeviceNet with 3 x M12 EC = EtherCAT with 3 x M12 PT = Profinet with 3 x M12 EP = Ethernet/IP with 3 x M12 MT = Modbus TCP/IP with 3 x M12 PL = Powerlink with 3 x M12</p>
---	---